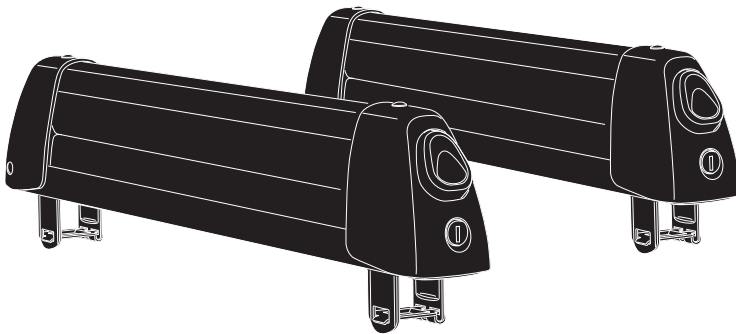


Thule Deluxe 726, 727, 740

➤ Instructions



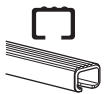
WingBar



AeroBar



SlideBar



SquareBar

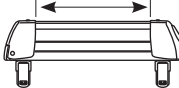
726000, 727000, 740000


4DF/12.20130315
501-7269-02

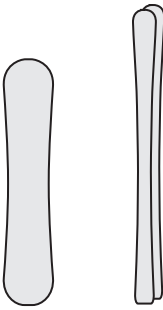
Bring your life
thule.com

740

300 mm




 **2,1 kg**




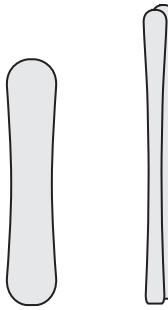
max x2 **max x3**

726

400 mm



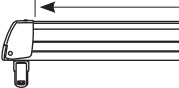
 **2,4 kg**




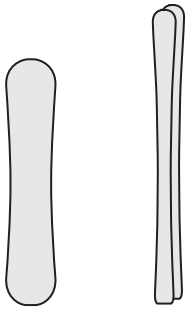
max x2 **max x4**

727

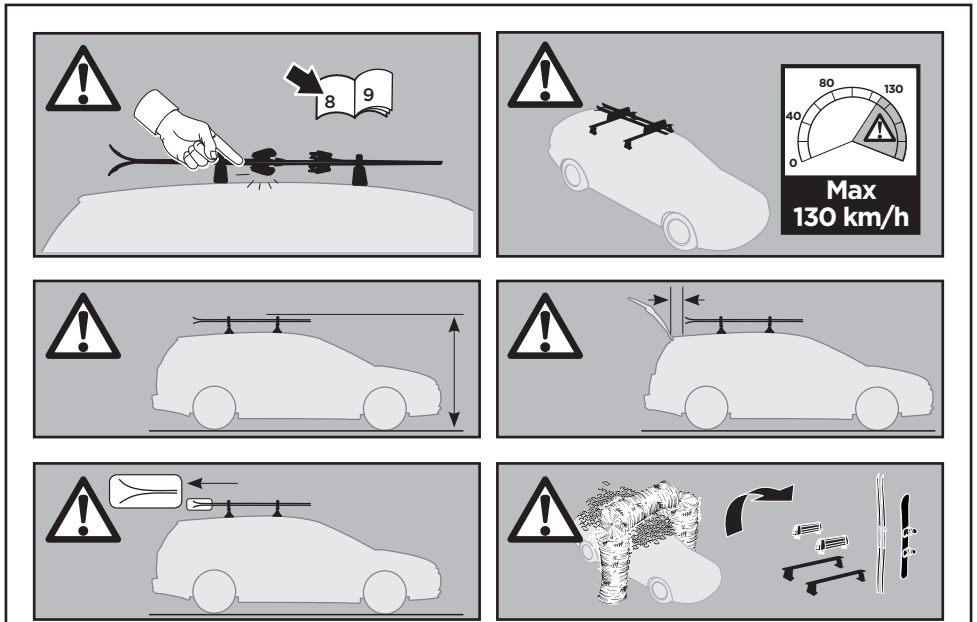
600 mm



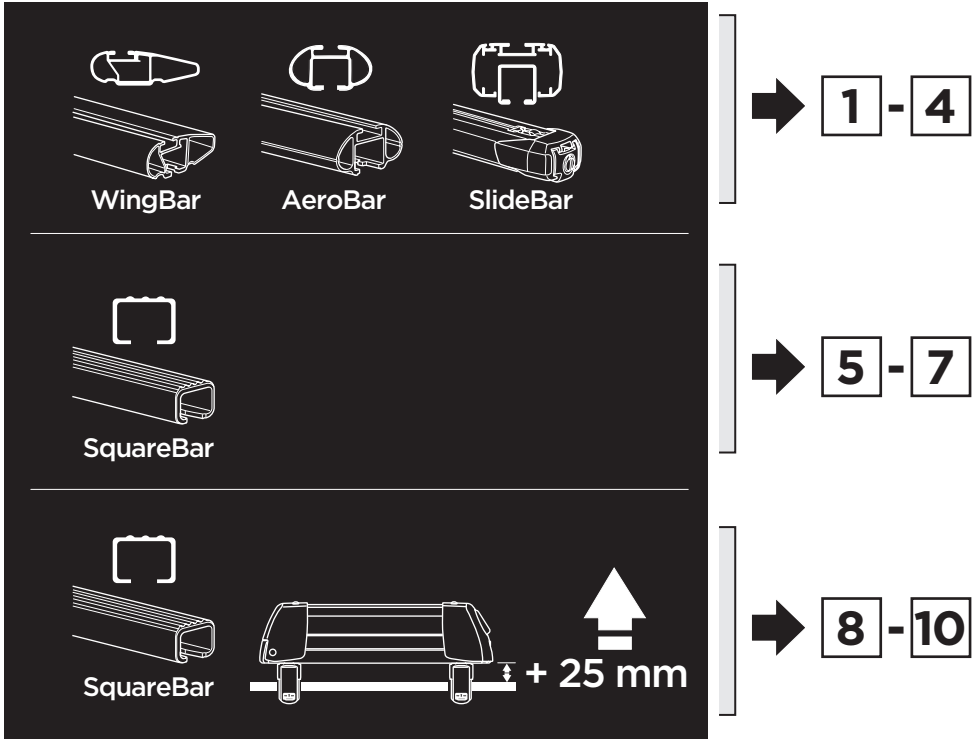
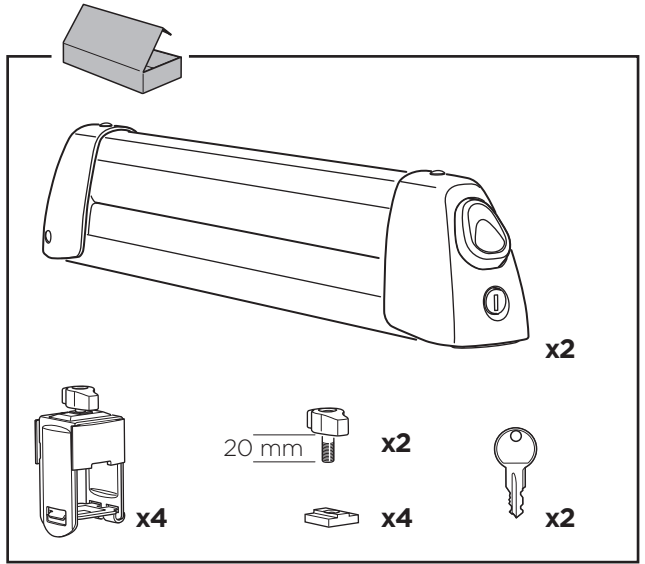
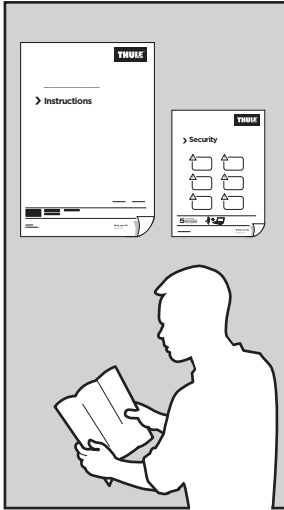
 **3,3 kg**

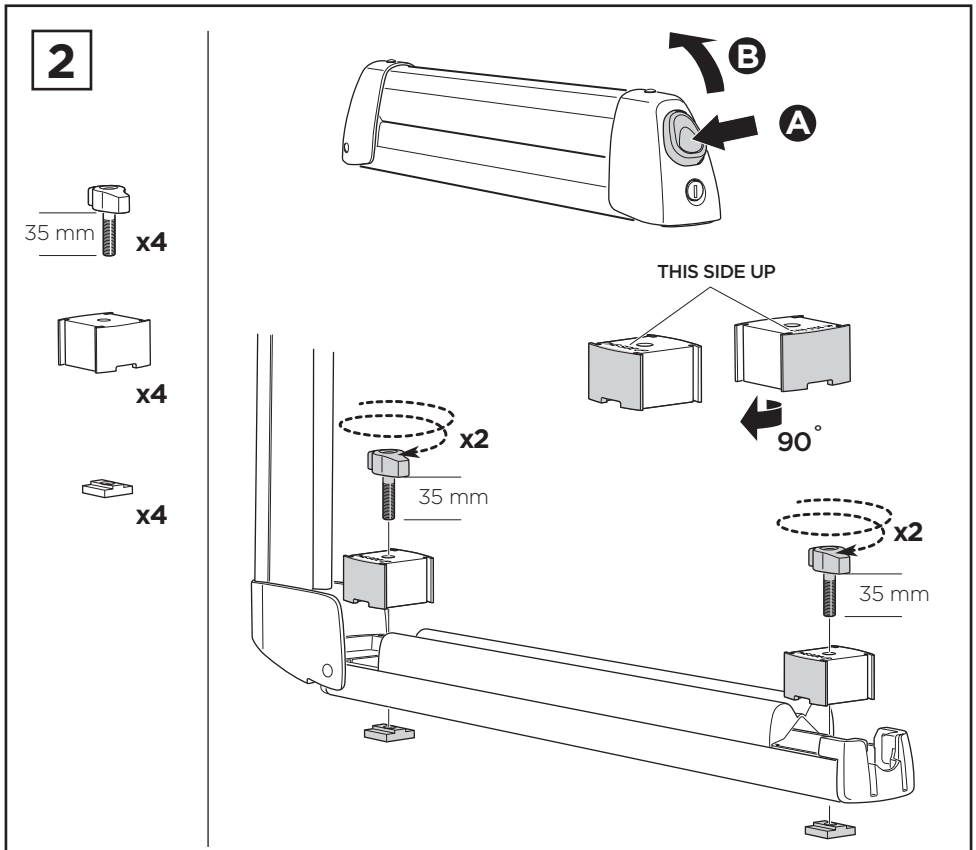
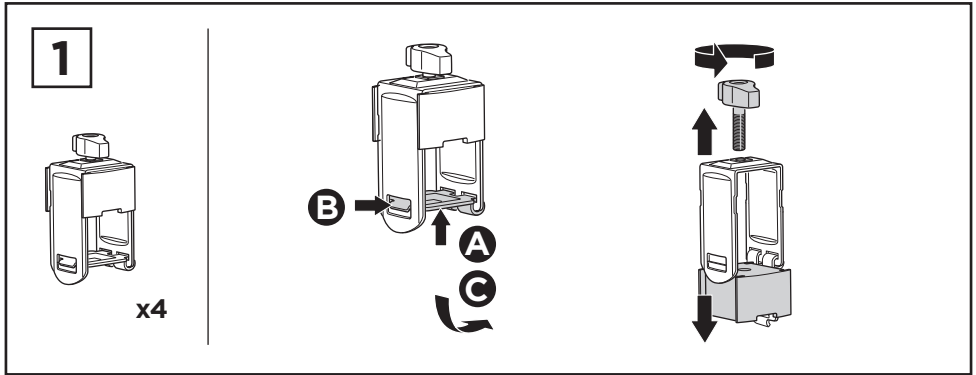
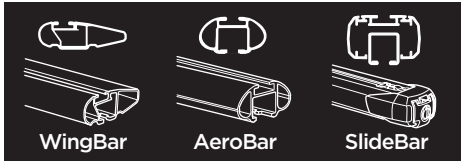


max x4 **max x6**

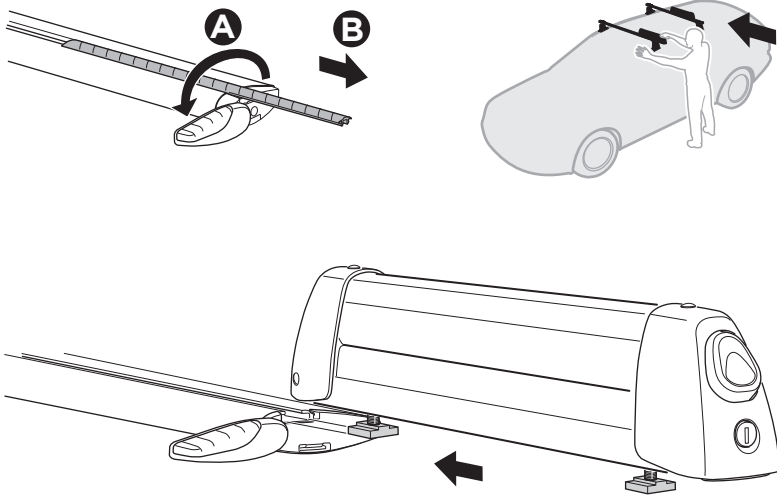


- A hand points to a ski rack on a car roof, with a warning triangle and an open book showing pages 8 and 9.
 - A car with a ski rack is shown next to a speedometer with a warning triangle and the text "Max 130 km/h".
 - A car with a ski rack is shown with a vertical double-headed arrow indicating height.
 - A car with a ski rack is shown with a horizontal double-headed arrow indicating width.
 - A car with a ski rack is shown with a warning triangle and a speech bubble containing a car horn icon.
 - A car with a ski rack is shown with a warning triangle and a pile of snow on the roof, with various ski rack components shown next to it.

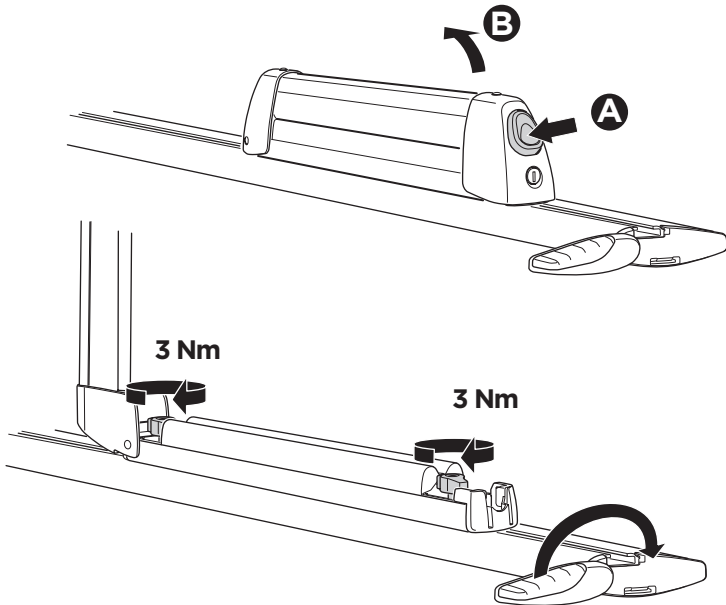


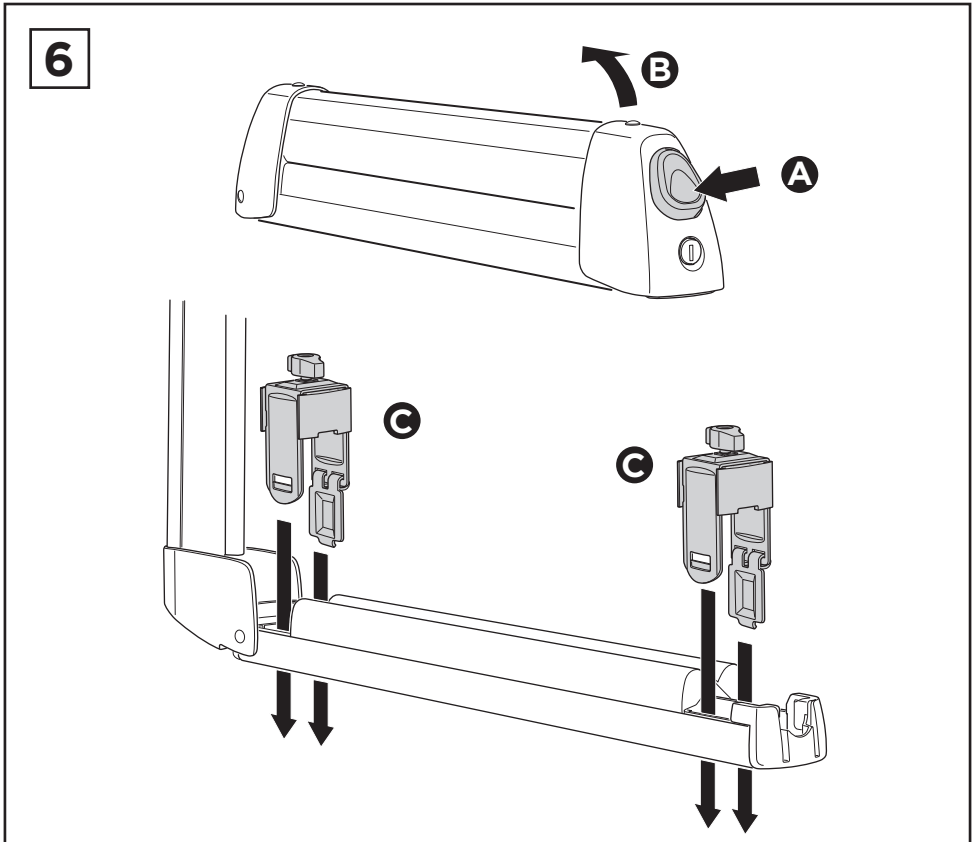
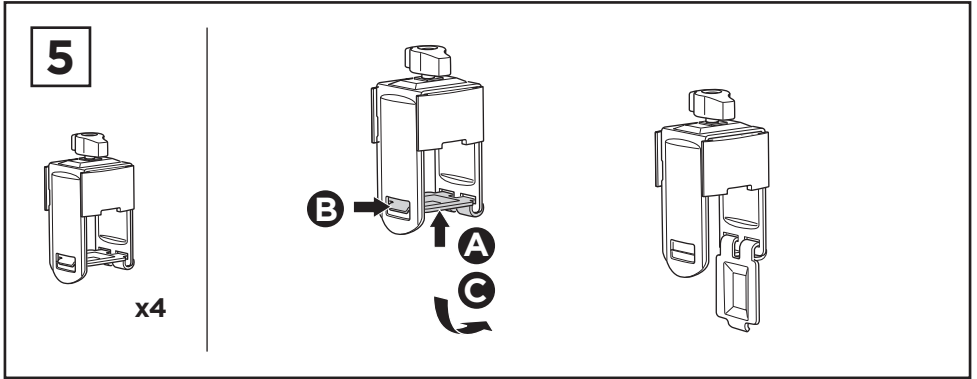


3

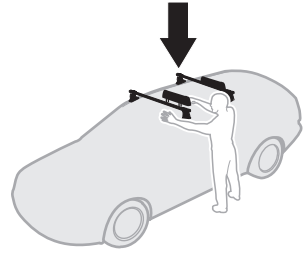


4

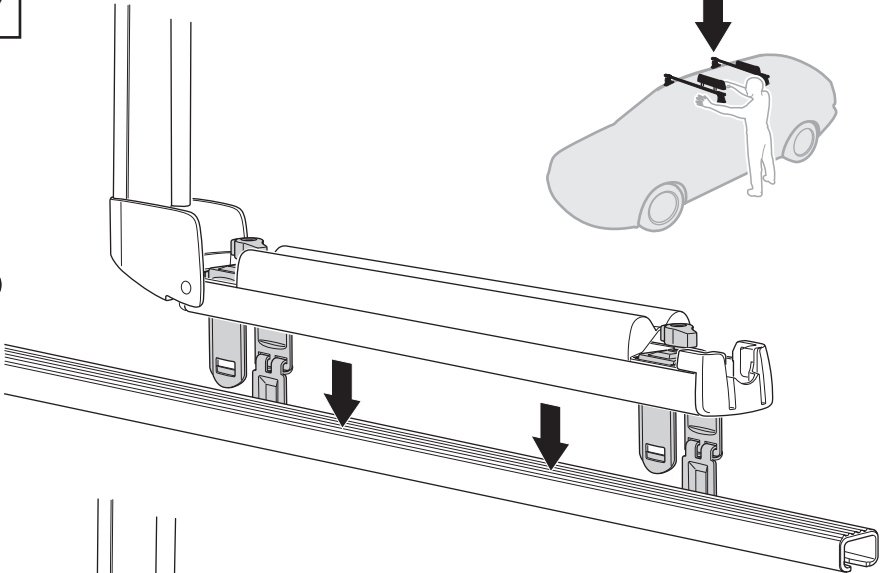




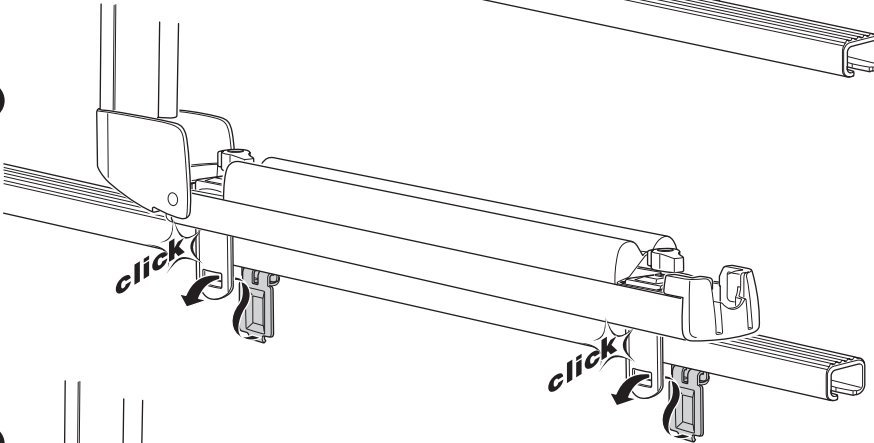
7



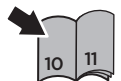
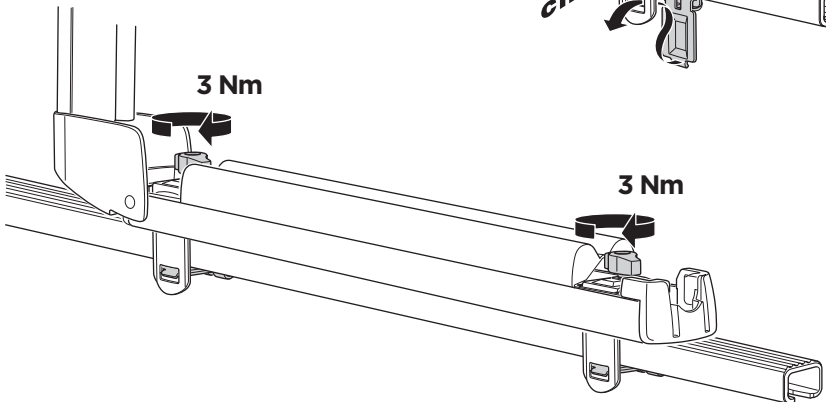
A

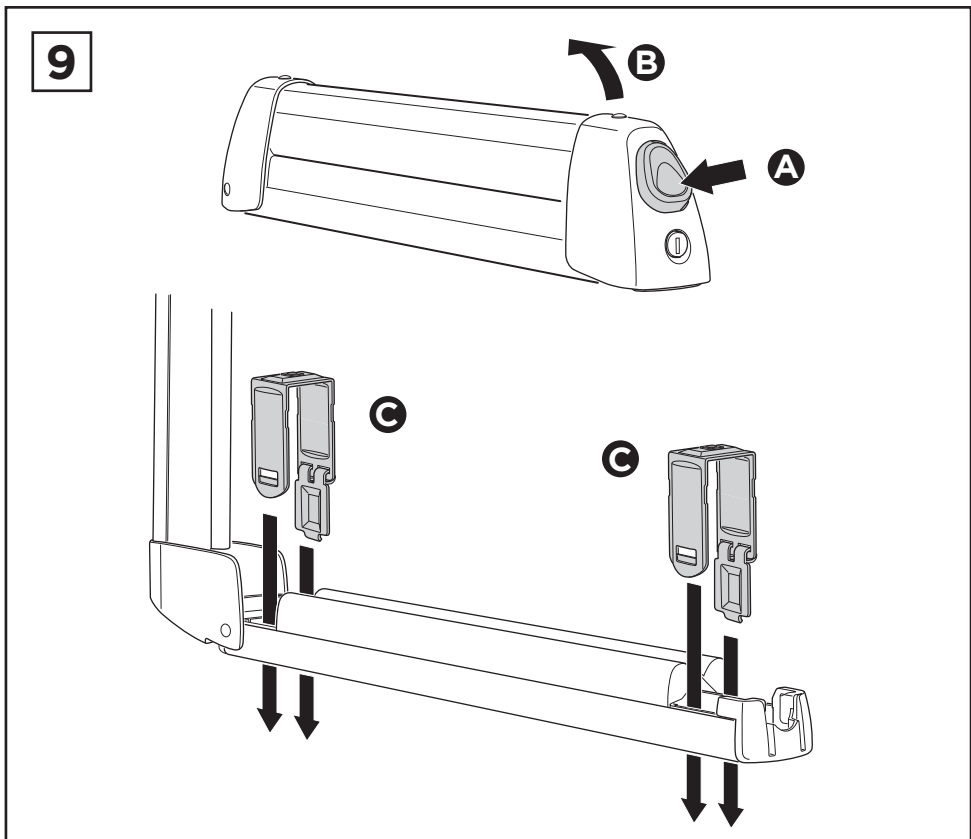
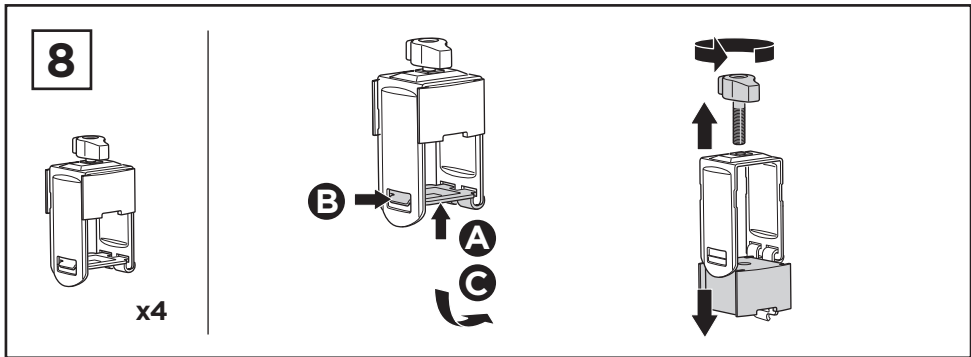
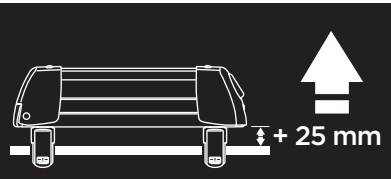
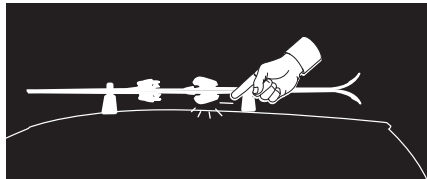


B

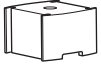


C



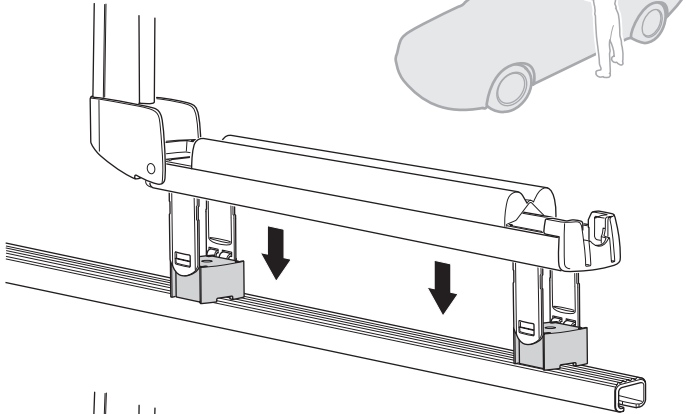


10

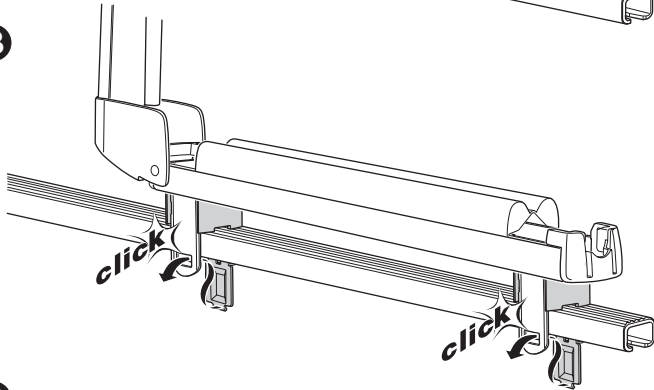


x4

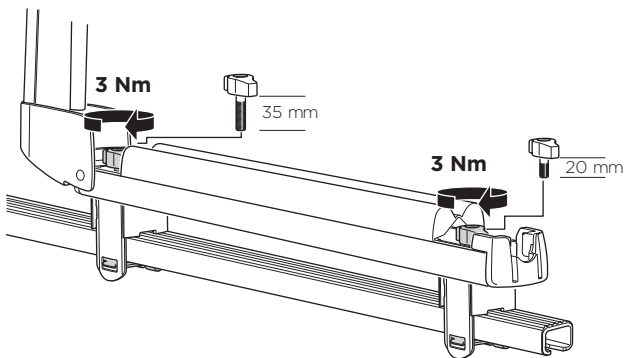
A



B



C



35 mm

x2

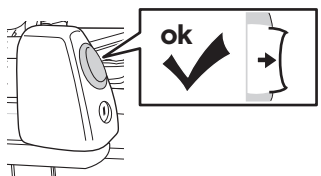
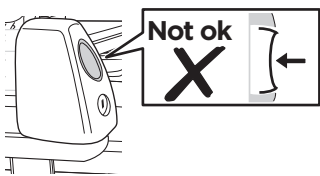
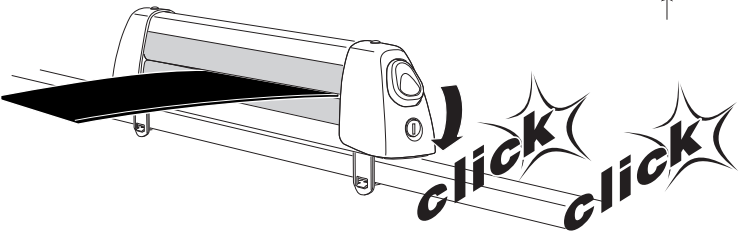
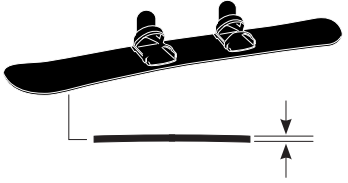
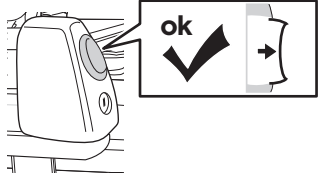
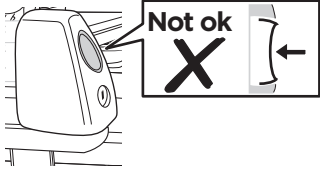
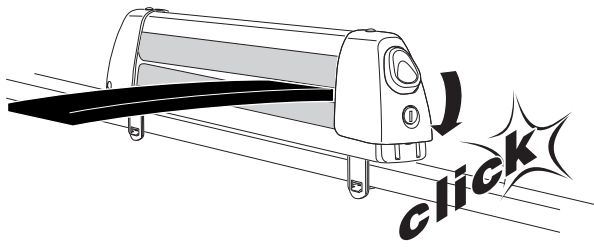
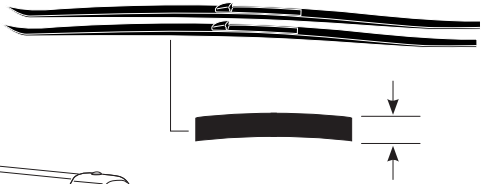


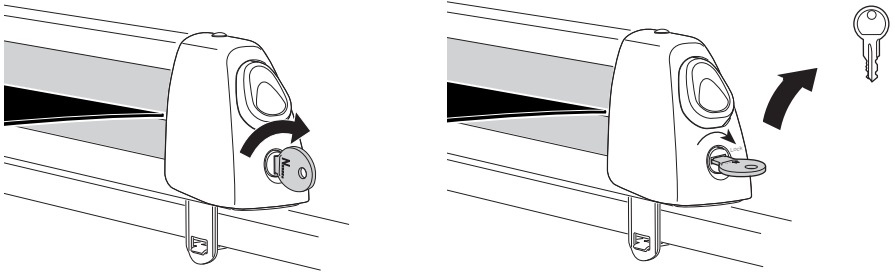
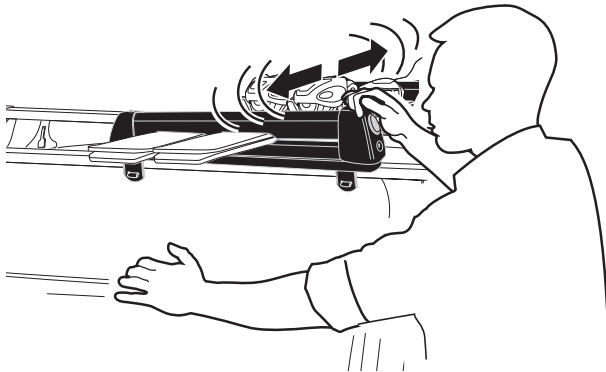
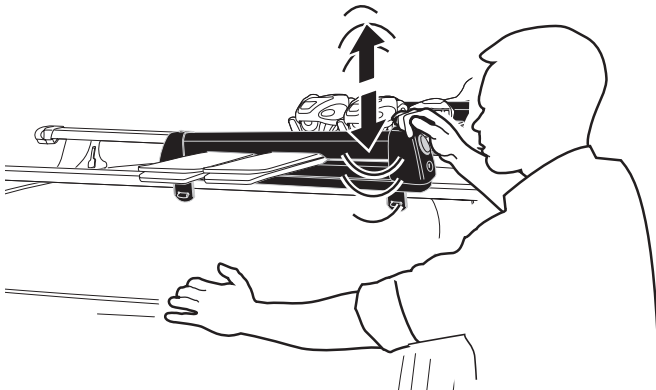
20 mm

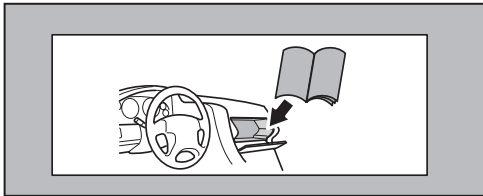
x2



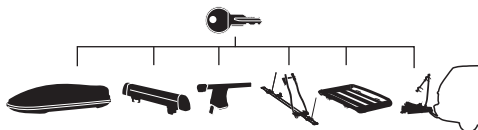
A



B**C****A****B**



Thule One-Key System



544  (x4)

596  (x6)

588  (x8)

452  (x12)