

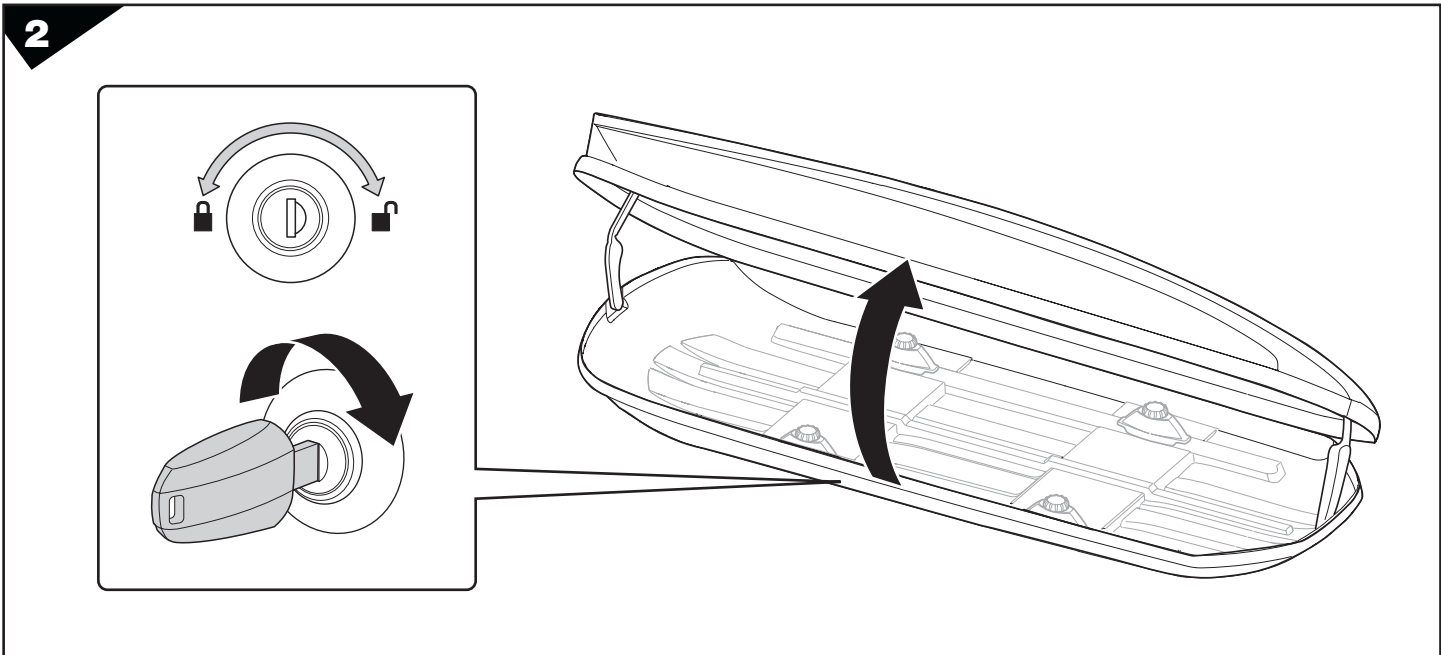
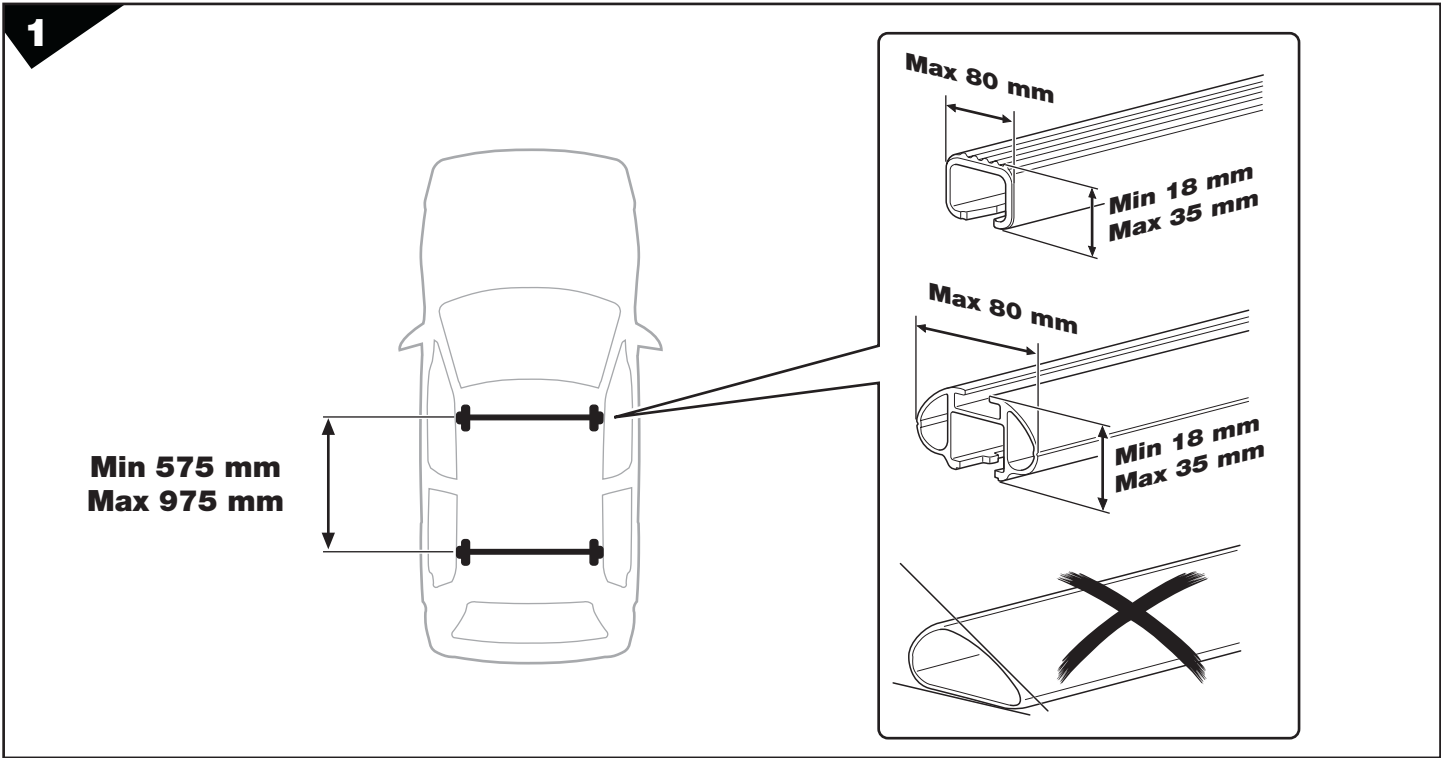
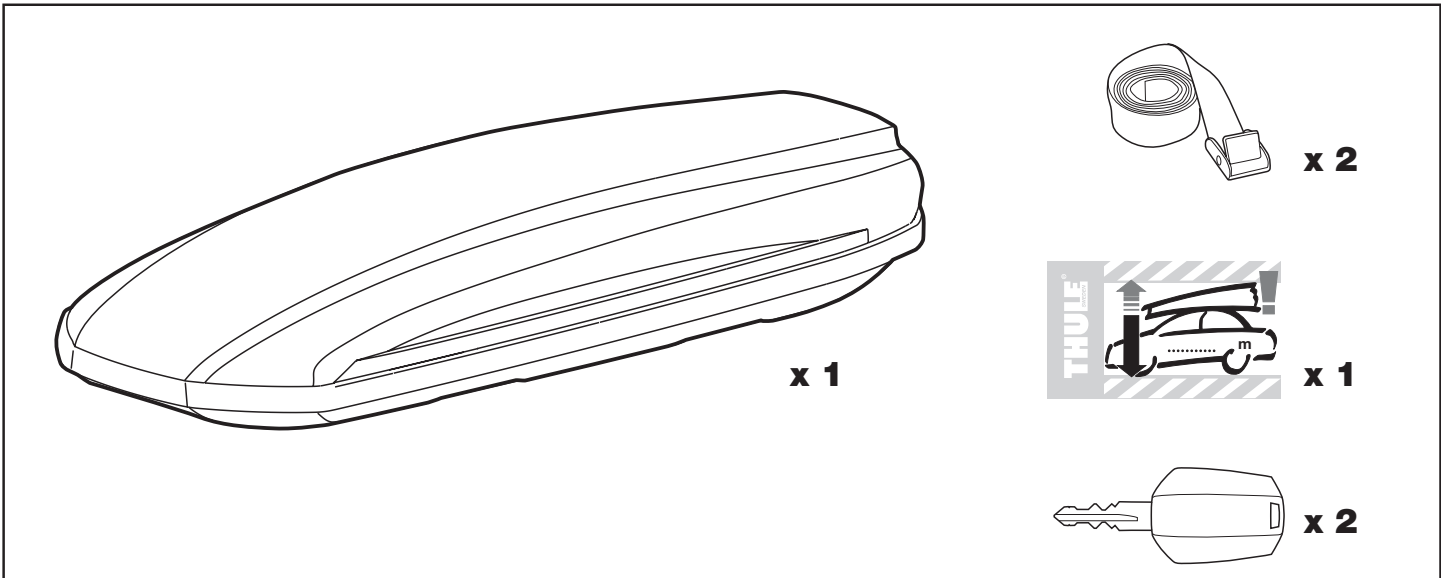
GB Fitting instructions
D Montageanleitung
F Instructions de montage
NL Montage-instructies
I Istruzioni per il montaggio
E Instrucciones de montaje
PT Instruções de Montagem
S Monteringsanvisning
FIN Asennusohje
EST Paigaldusjuhend
LAT Stiprināšanas instrukcija
LIT Pritvirtinimo instrukcijos
PL Instrukcja montażu
RU Инструкции по установке
CZ Návod na montáž

SK Návod na montáž
SLO Navodila za pritrjevanje
HR Uputa za sastavljanje
HU A felszerelés módja
GR Οδηγίες συναρμολόγησης
TR Montaj talimatları
中文 安装说明
日本語 取扱(取付)説明書
한국어 장착 지침
ไทย คำแนะนำการติดตั้ง

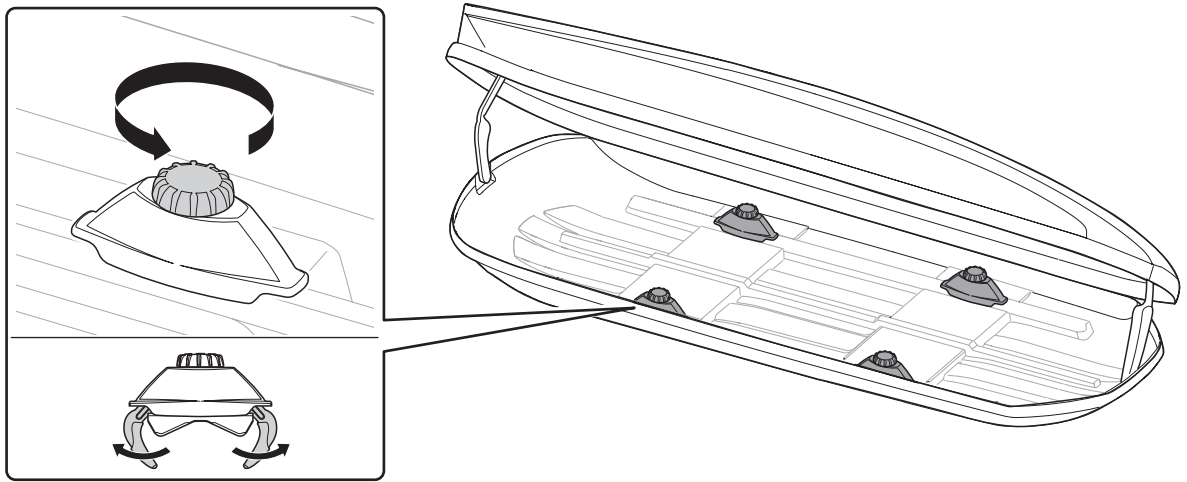


Spirit

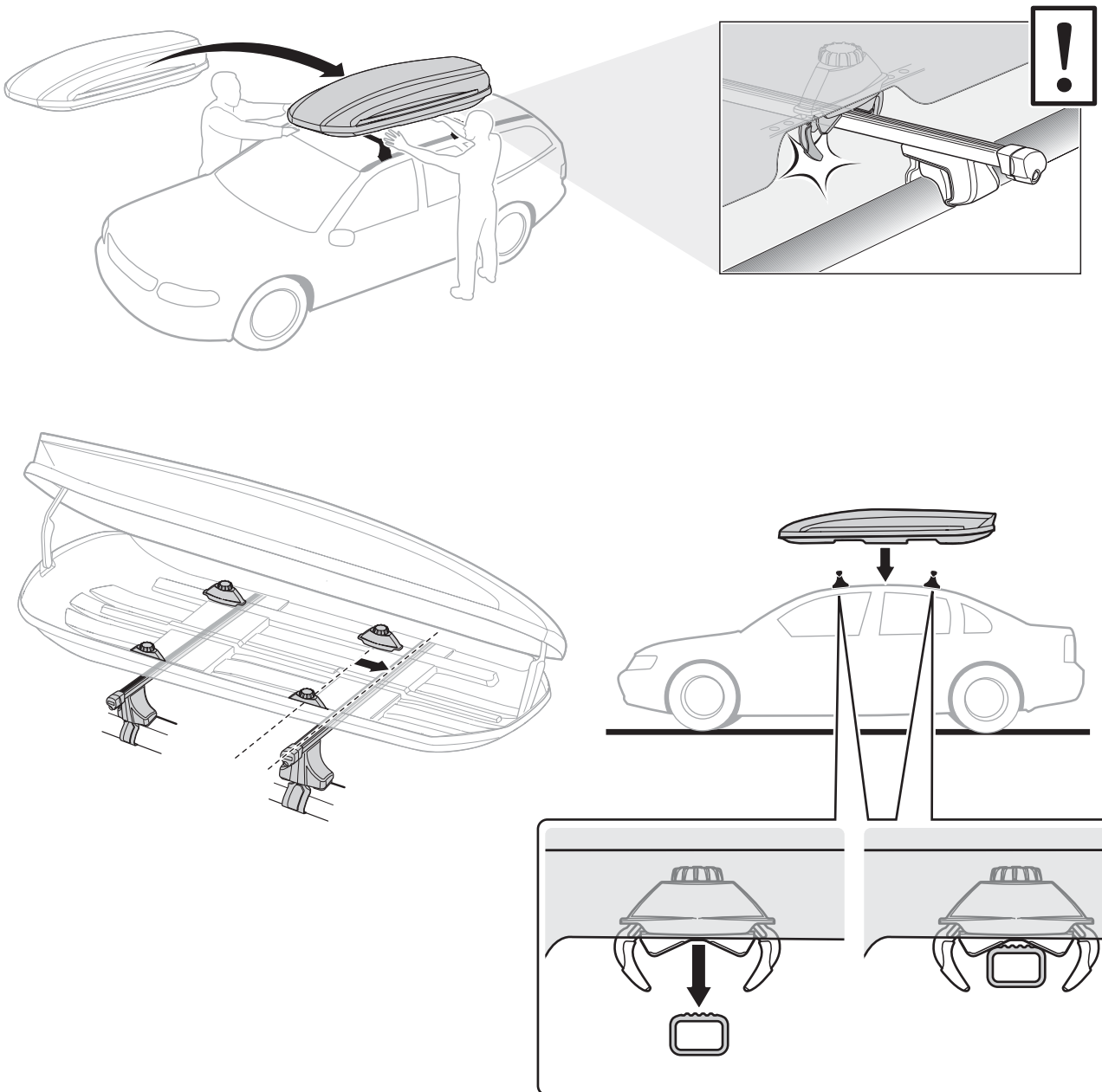
Follow me...



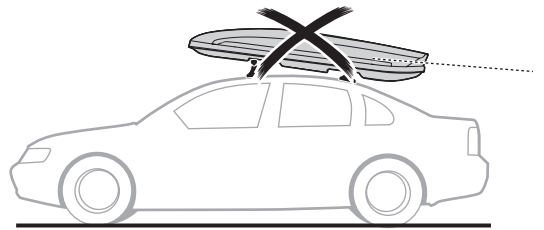
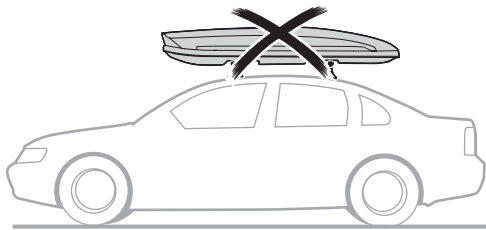
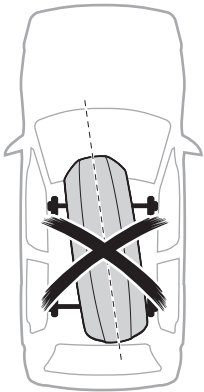
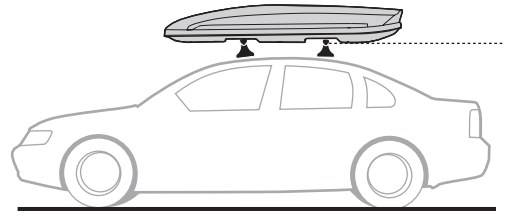
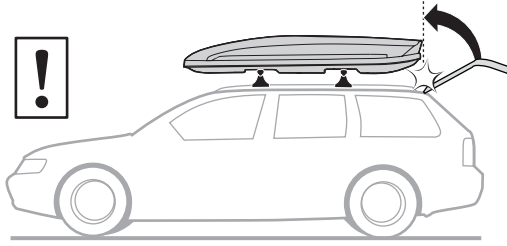
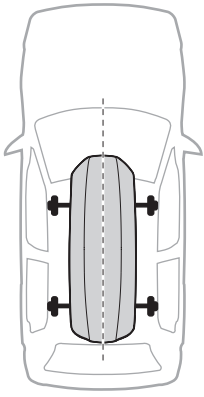
3



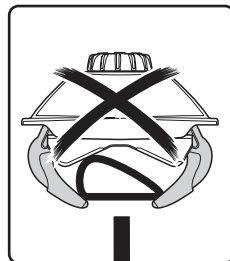
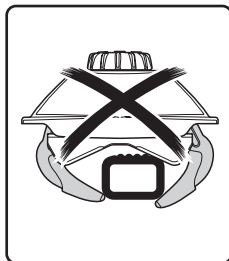
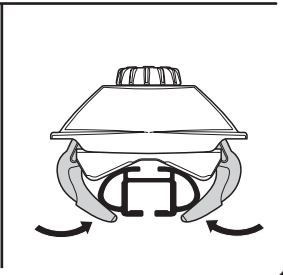
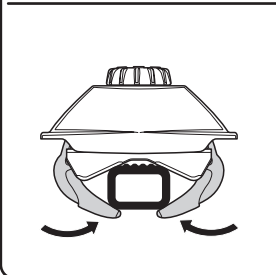
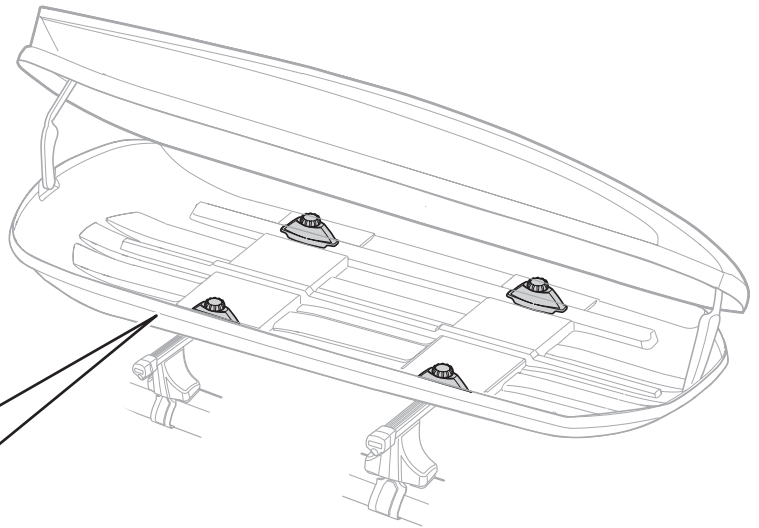
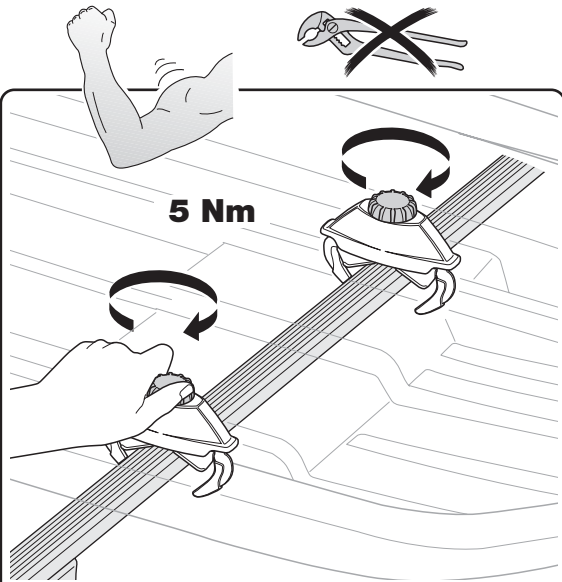
4



5



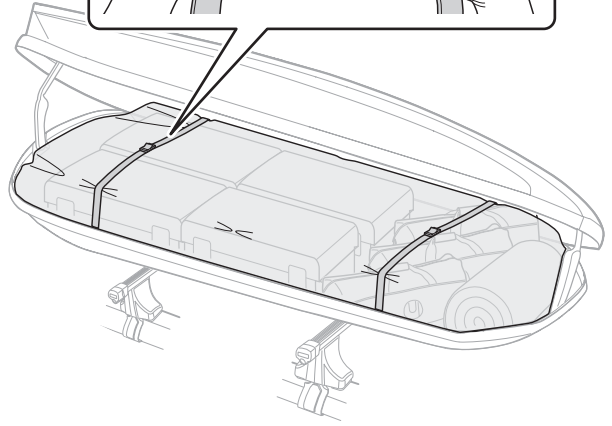
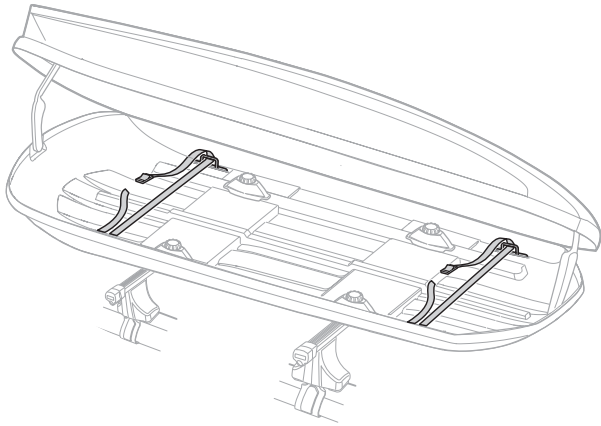
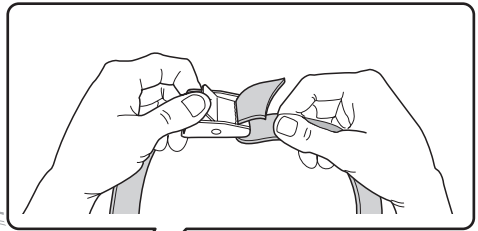
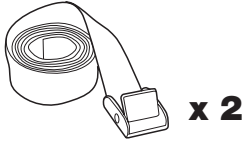
6



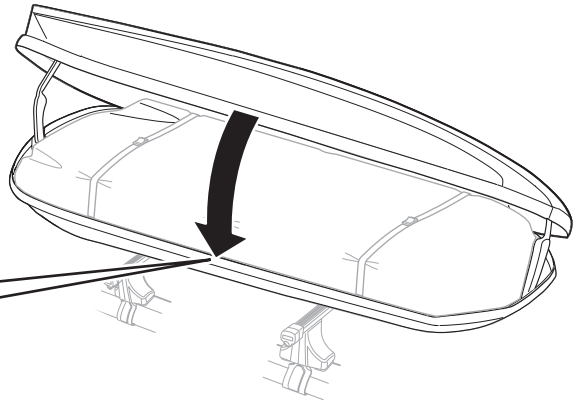
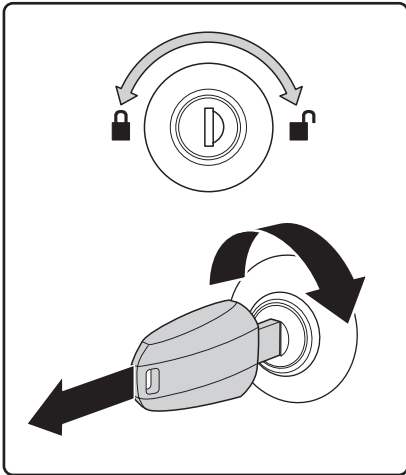
Thule T-Nut Adapter

696400
697400

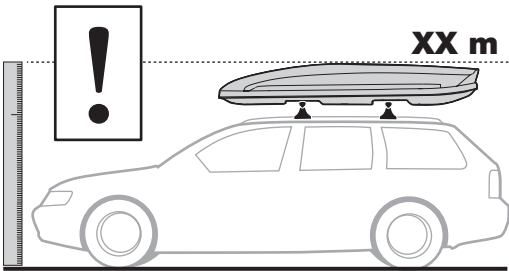
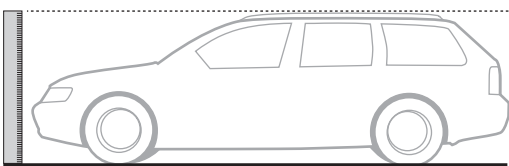
7



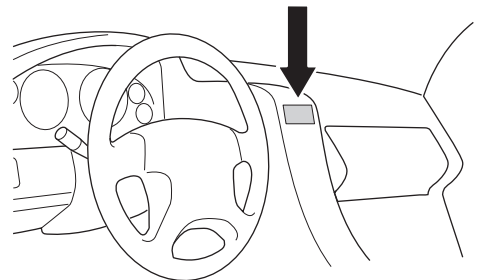
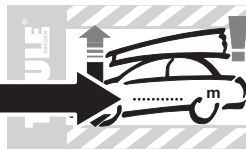
8



9



XX m



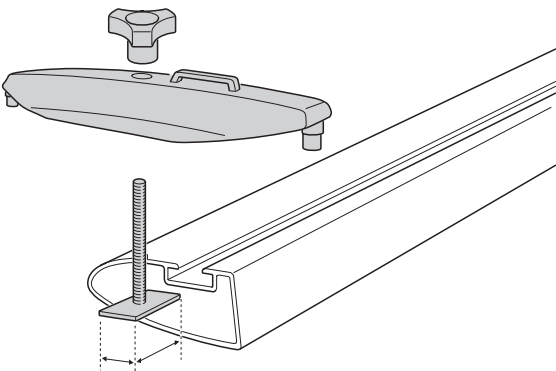
GB Accessories
D Zubehör
F Accessoires
NL Accessoires
I Accessori
E Accesorios
PT Acessórios

S Tillbehör
FIN Lisävarusteet
EST Lisavarustus
LAT Piederumi
LIT Priedai
PL Akcesoria
RU Аксессуары

CZ Doplnky
SK Príslušenstvo
SLO Dodatki
HR Dodaci
HU Tartozékok
GR Παρελκόμενα
TR Aksesuarlar

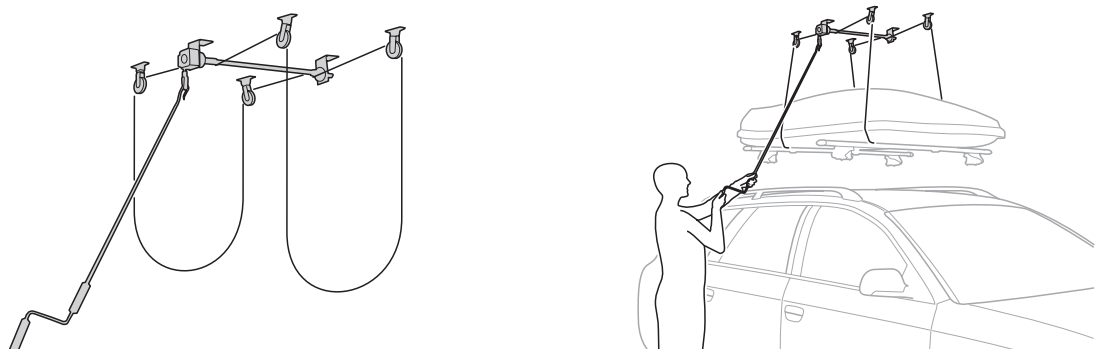
中文 附件
 日本語 付属品
 한국어 액세서리
 ไทย อุปกรณ์เสริม

Thule T-Nut Adapter



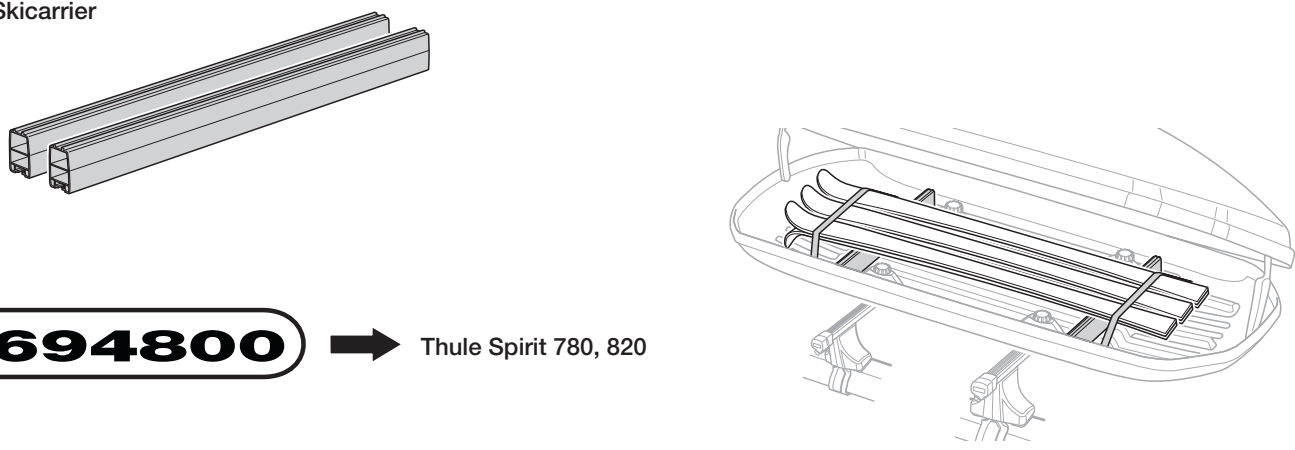
696400 → 24x30 mm
697400 → 20x20 mm

Thule Boxlift

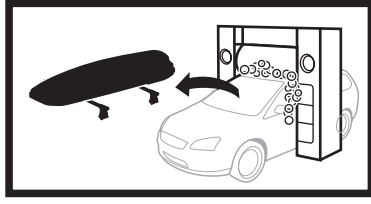
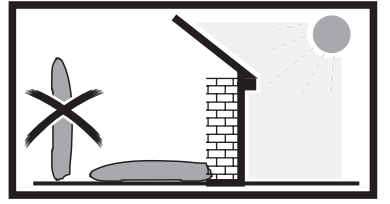
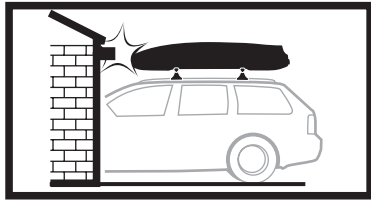
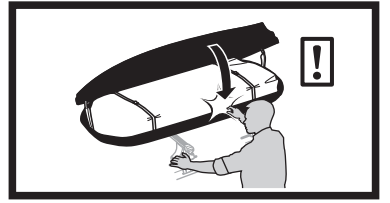
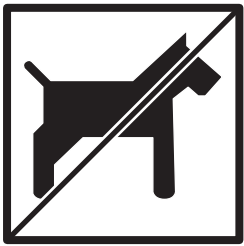
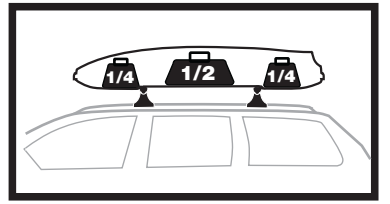
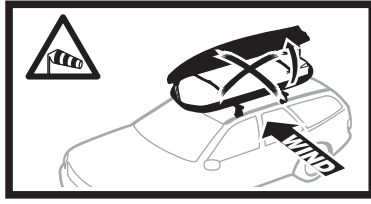
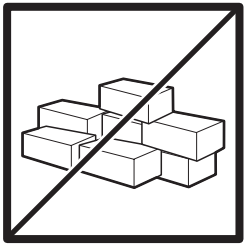
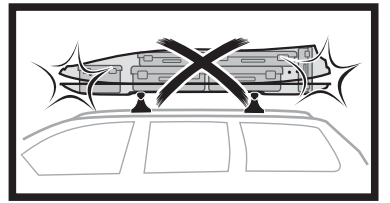
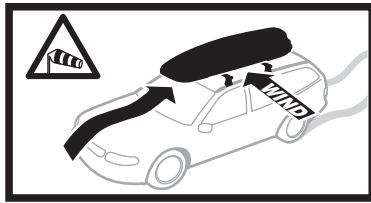
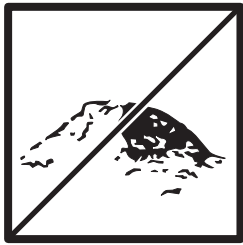
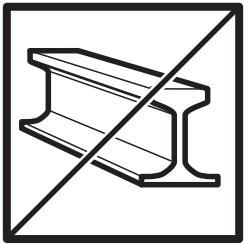


571
571000

Thule Skicarrier



694800 → Thule Spirit 780, 820

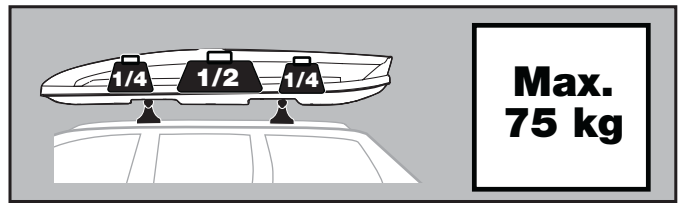
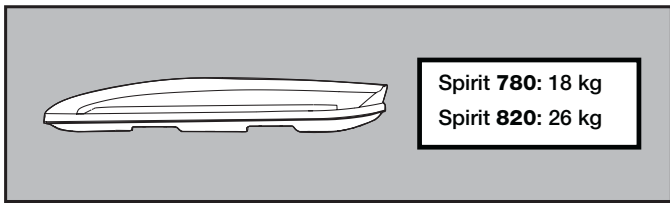


THULE SYSTEM

ONE KEY SYSTEM

- 544 (x4)
- 596 (x6)
- 588 (x8)
- 452 (x12)

1. Insert the key into the lock cylinder at a 45-degree angle.
2. Turn the key clockwise to the stop.
3. Remove the key and insert the Thule key fob.
4. Turn the key fob clockwise to the stop.
5. Press the Thule logo on the key fob.
6. Turn the key fob counter-clockwise to the stop.
7. Turn the key fob clockwise to the stop.
8. Turn the key fob counter-clockwise to the stop.



Kaufdatum/Date of purchase:

Kassenzettel hier abheften
Place receipt here

Händler/Dealer:

Stempel/stamp

